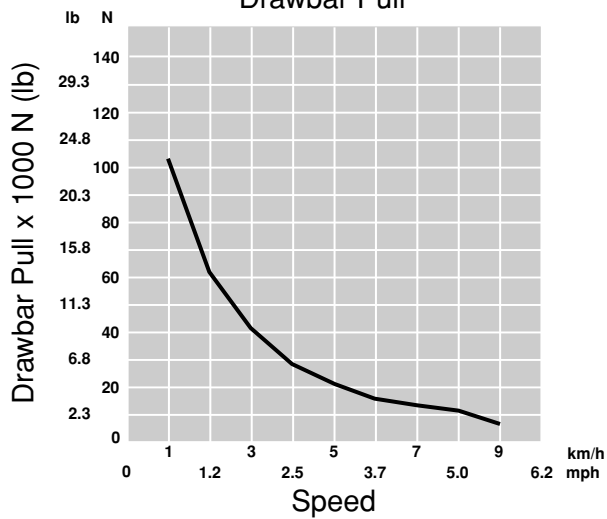


D3G Track-Type Tractor

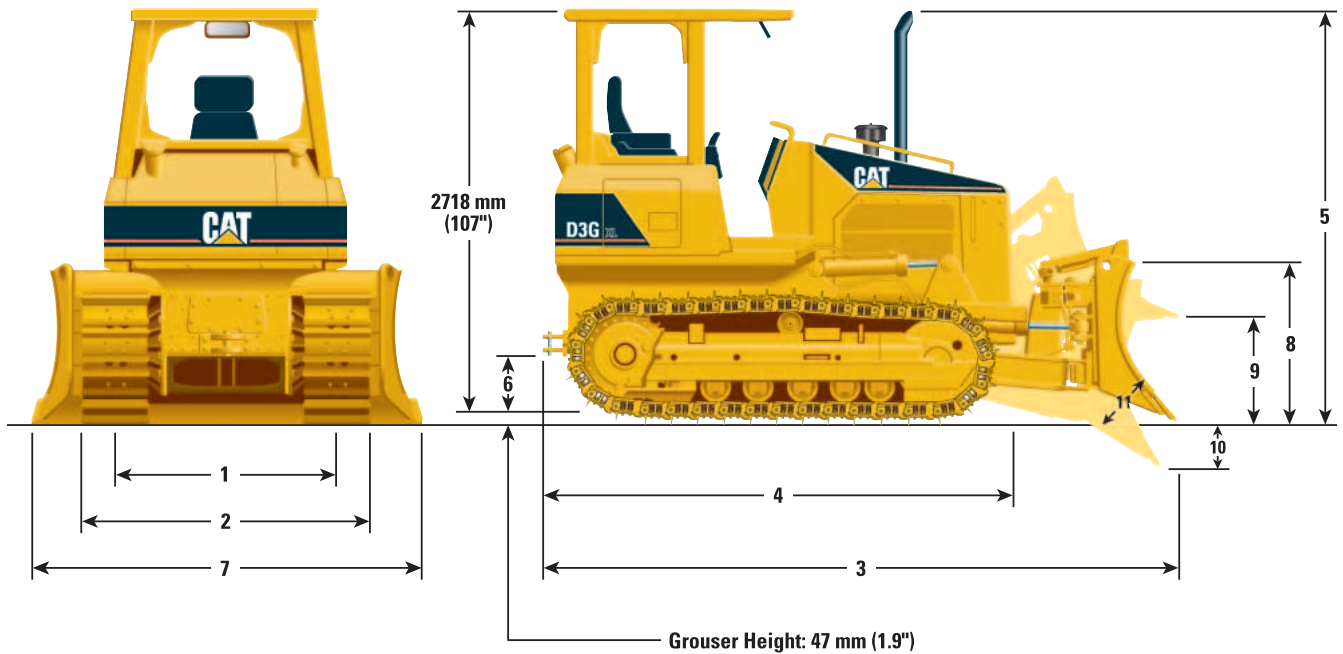
Drawbar Pull



D3G Track-Type Tractor

Dimensions

All dimensions are approximate.



	XL	LGP
1 Track gauge	1448 mm (57")	1676 mm (66")
2 Width of tractor (std shoes, no blade)	1854 mm (73")	2311 mm (91")
3 Overall length (w/blade)	4020 mm (158.3")	4017 mm (158.1")
4 Length of basic tractor (w/o blade)	3103 mm (122.2")	3103 mm (122.2")
5 Tractor height	2765 mm (108.9")	2765 mm (108.9")
6 Ground clearance	374 mm (14.7")	374 mm (14.7")

BLADE

	XL	Intermediate	LGP
7 Blade width	2461 mm (96.9")	2921 mm (115")	3146 mm (123.9")
8 Blade height	936 mm (36.8")	843 mm (33.2")	843 mm (33.2")
9 Blade lift height	688 mm (27.1")	695 mm (27.4")	695 mm (27.4")
10 Digging depth	554 mm (21.8")	527 mm (20.7")	527 mm (20.7")
11 Blade cutting edge angle, adjustable	50° to 55°	50° to 55°	50° to 55°
Maximum tilt	369 mm (14.5")	423 mm (16.7")	456 mm (18")
Maximum angle (either side)	25°	25°	25°
Blade width at maximum angle	2247 mm (88.5")	2666 mm (105")	2871 mm (113")
Blade capacity (SAE)	1.44 m ³ (1.88 yd ³)	1.42 m ³ (1.86 yd ³)	1.53 m ³ (2.0 yd ³)

D3G Track-Type Tractor

Optional Equipment (with approximate change in operating weight)

Optional equipment may vary. Consult your Caterpillar dealer for specifics.

	kg	lb		kg	lb
AccuGrade installation arrangement	31	68	Lights		
Blade, variable pitch, power angling & tilt			ROPS, canopy, two front, one rear	4	8
XL, 1.43 m ³ (1.87 yd ³), 97" width	503	1,110	ROPS, cab, two front, one rear	7	16
Intermediate, 1.41 m ³ (1.85 yd ³), 115" width	527	1,162	Machine Security System	3	7
LGP, 1.53 m ³ (2.0 yd ³), 124" width	560	1,234	Product Link	8	18
Cab, ROPS, includes air conditioner, comfort seat (cloth), 90 amp alternator	403	889	Radiator grid, sandblast	12	27
Cab, ROPS, logging, includes screens and polycarbonate door windows, air conditioner, comfort seat (cloth), 90 amp alternator	606	1,335	Ripper, parallelogram, includes three shanks and teeth	563	1,241
Counterweight, front	289	636	Screens		
Counterweight, idler mounted	136	300	Front and door, for use with ROPS canopy	91	200
Drawbar, towing	13	29	Rear, for use with ROPS canopy	23	51
Drive, auxiliary	11	23	Rear, for use with ROPS cab	24	52
Guards			Side, for use with ROPS canopy	41	90
Rock, idler (for use with counterweight)	21	46	Side, for use with ROPS cab	46	102
Rock, idler (for use without counterweight)	15	32	Sound suppression, exterior	43	95
Track roller	69	153	Starting aid, ether	4	9
Heater, engine coolant	0.45	1	Sweeps, logging	133	293
Heater, ROPS canopy	33	73	Tracks		
Heavy duty grill	16	35	14" triple grouser, sealed and lubricated track	-34	-75
Hydraulic arrangement			25" self cleaning, sealed and lubricated track	175	385
4-valve, 1-lever dozer control, for use with ripper	12	26	Winch		
4-valve, 1-lever dozer control, for use with winch	12	26	Installation, includes pump, lines, filter and control lever	69	152
			Winch, variable speed	610	1,345
			Fairlead (3-roller) for winch	120	265
			4th roller kit for fairlead	17	38