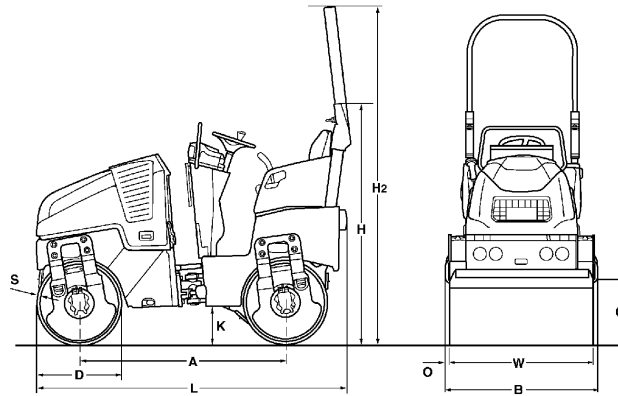


TECHNICAL DATA

TANDEM ROLLERS

BW 80 AD-5, BW 90 AD-5, BW 100 ADM-5





Dimensions in mm

| | A | B | C | D | H | H2 | K | L | O | S | W |
|---------------------|----------|----------|----------|----------|----------|-----------|----------|----------|----------|----------|----------|
| BW 80 AD-5 | 1483 | 856 | 433 | 580 | 1627 | 2304 | 255 | 2194 | 28 | 13 | 800 |
| BW 90 AD-5 | 1483 | 956 | 433 | 580 | 1627 | 2304 | 255 | 2194 | 28 | 12 | 900 |
| BW 100 ADM-5 | 1483 | 1056 | 433 | 580 | 1627 | 2304 | 255 | 2194 | 28 | 12 | 1000 |

Shipping dimensions in m3

BW 80 AD-5
BW 90 AD-5
BW 100 ADM-5

without ROPS

3,056
 3,413
 3,770

with ROPS

4,327
 4,833
 5,338

| Machine type | Compaction output (m3/h) at recommended soil layer thicknesses | | |
|---------------------|---|-------------------|-------------------|
| | Gravel, sand | Mixed soil | Silt, clay |
| BW 80 AD-5 | 60-110 | 42-85 | 33-65 |
| BW 90 AD-5 | 70-120 | 45-90 | 35-70 |
| BW 100 ADM-5 | 75-140 | 50-100 | 36-70 |

| Machine type | Compaction output (t/h) at different asphalt layer thicknesses | | |
|---------------------|---|---------------|-----------------|
| | 2-4 cm | 6-8 cm | 10-14 cm |
| BW 80 AD-5 | 10-30 | 25-45 | 35-70 |
| BW 90 AD-5 | 15-30 | 30-50 | 40-80 |
| BW 100 ADM-5 | 15-40 | 35-60 | 50-90 |

Technical Data**BOMAG
BW 80 AD-5****BOMAG
BW 90 AD-5****BOMAG
BW 100 ADM-5****Weights**

| | | | | |
|---------------------------------------|-------|-------|-------|-------|
| Operating weight CECE | kg | 1.550 | 1.600 | 1.700 |
| Average static linear load CECE | kg/cm | 9,7 | 8,9 | 8,5 |
| Grossweight | kg | 1.900 | 1.900 | 1.900 |

Dimensions

| | | | | |
|---------------------------|----|-------|-------|-------|
| Working width | mm | 800 | 900 | 1.000 |
| Track radius, inner | mm | 2.080 | 2.030 | 1.980 |

Driving Characteristics

| | | | | |
|--|------|---------|---------|---------|
| Speed | km/h | 0- 10,0 | 0- 10,0 | 0- 10,0 |
| Working speed with vibration | km/h | 0- 10,0 | 0- 10,0 | 0- 10,0 |
| Max. gradeability without/with vibr. ... | % | 40/30 | 40/30 | 40/30 |

Drive

| | | | | |
|------------------------------|-------|------------------|------------------|------------------|
| Engine manufacturer | | Kubota | Kubota | Kubota |
| Type | | D 902 | D 902 | D 902 |
| Emission stage | | Stage V / TIER4f | Stage V / TIER4f | Stage V / TIER4f |
| Cooling | | water | water | water |
| Number of cylinders | | 3 | 3 | 3 |
| Performance ISO 14396 | kW | 15,1 | 15,1 | 15,1 |
| Performance SAE J 1995 | hp | 20,2 | 20,2 | 20,2 |
| Speed | min-1 | 3.000 | 3.000 | 3.000 |
| Speed adjustment 1 | min-1 | 2.100 | 2.100 | 2.100 |
| Speed adjustment 2 | min-1 | 3.000 | 3.000 | 3.000 |
| Electric equipment | V | 12 | 12 | 12 |
| Driven drum | | front + rear | front + rear | front + rear |

Brakes

| | | | | |
|---------------------|--|-----------|-----------|-----------|
| Service brake | | hydrost. | hydrost. | hydrost. |
| Parking brake | | hydromec. | hydromec. | hydromec. |

Steering

| | | | | |
|--|------|--------------|--------------|--------------|
| Steering system | | oscil.artic. | oscil.artic. | oscil.artic. |
| Steering method | | hydrost. | hydrost. | hydrost. |
| Steering / oscillating angle +/- | grad | 33/8 | 33/8 | 33/8 |
| Crab walk | mm | 0- 50 | 0- 50 | 0- 50 |

Exciter system

| | | | | |
|-------------------------|----|--------------|--------------|--------------|
| Vibrating drum | | front + rear | front + rear | front + rear |
| Drive system | | hydrost. | hydrost. | hydrost. |
| Frequency | Hz | 42/63 | 42/63 | 42/63 |
| Amplitude | mm | 0,50 | 0,50 | 0,40 |
| Centrifugal force | kN | 7/17 | 8/17 | 8/17 |

Sprinkler System

| | | | | |
|--------------------------|--|----------|----------|----------|
| Type of sprinkling | | pressure | pressure | pressure |
|--------------------------|--|----------|----------|----------|

Capacities

| | | | | |
|-------------|---|-------|-------|-------|
| Fuel | l | 30,0 | 30,0 | 30,0 |
| Water | l | 100,0 | 100,0 | 100,0 |

Technical modifications reserved. Machines may be shown with options.

Standard Equipment

- Hydrostatic travel and vibration drive
- Travel drive in series
- 2 scrapers per drum, spring loaded and tiltable
- Pressure sprinkler system with interval switch
- Multi function travel lever
- Multi-function display incl. operating hour meter
- Water level
- Emergency STOP
- Individual control, vibration
- Intelligent Vibration Control (IVC)
- Integrated storage compartment
- Adjustable operator's seat
- Seat contact switch
- Vandalism protection
- 12V socket
- Working lights front and rear
- Back-up alarm
- Lashing eyes, galvanized
- Single point lifting device
- Lockable engine hood made of composite material

Optional Equipment

- ROPS with safety belt
- * Foldable ROPS incl. seat belt
- Sun roof, foldable with ROPS
- Double travel lever
- Seat heating
- ECONOMIZER with asphalt temperature display
- Temperature display
- BOMAG TELEMATIC
- Theft protection
- Indicator and hazard lights
- Rotary beacon
- Optional lighting on ROPS
- Battery disconnect switch
- Environmentally compliant hydraulic oil
- Special painting
- Edge cutter
- Port for hydraulik breaker
- Backup warning buzzer with broadband technology
- ECOSTOP
- Outside mirrors
- Anti-frost intake
- Tablet holder set
- JOBLINK measuring technology interface
- JOBLINK Bluetooth adapter
- BOMAP GPS antenna holder

* Standard delivery with CE conformity
(valid within European Union)

